

QWCA-22-K

WR-22 to 2.92mm

Features:
* Low VSWR

Applications:
* Wireless
* Transmitter
* Laboratory Test
* Radar

Electrical

Frequency: 32.9-40GHz
VSWR: 1.3 max.
Insertion loss: 0.3dB max.

Mechanical

Coax Connectors: 2.92mm Female
Waveguide Size: WR-22
Flange: UG-383/U
Material: Gold plated brass

How To Order

QWCA-22-X-Y-Z

X : Connector type.

Y : Configuration type.

Z : Flange type if applicable.

Connector naming rules:

K - 2.92mm Male (Outline A)

KF - 2.92mm Female (Outline A)

Configuration naming rules:

E - End launch

R - Right angle (Outline A)

Flange naming rules:

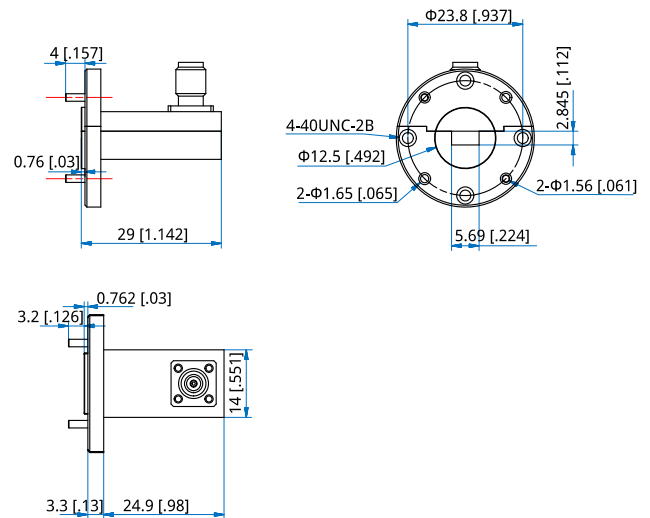
5 - UG-383/U (Outline A)

Examples:

To order a waveguide to coax adapter, WR-22 to 2.92mm female, right angle,UG-383/U specify QWCA-22-KF-R-5.

Customization is available upon request.

Outline Drawings



Outline A

Unit: mm [in]

Tolerance: $\pm 0.2\text{mm}$ [$\pm 0.008\text{in}$]